



FH33 Series

0.5 mm Pitch, 1.2 mm Height, Single-sided Lead,
 Bottom Contact Connector for FPC / FFC

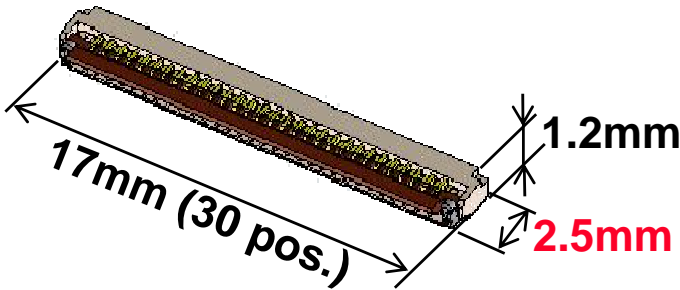
Short mounting
 depth: **2.5 mm**

High FPC retention force

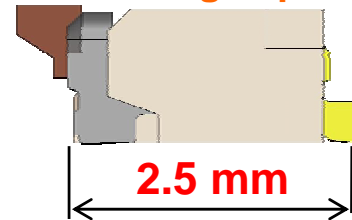


◆ Features

1. The world's smallest mounting area with minimized depth



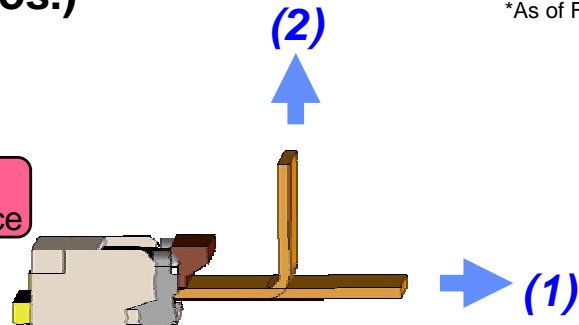
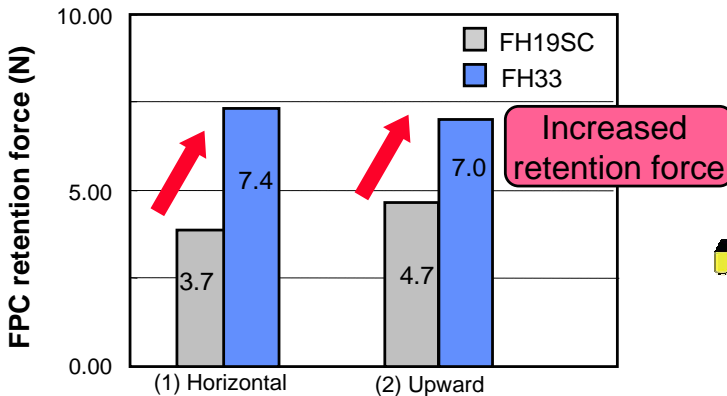
◆ The world shortest*
 mounting depth



*As of Feb., 2008

2. High FPC retention force (14 pos.)

<Actual measured value>



(1) Approx. **2.0** times stronger
 (2) Approx. **1.5** times stronger

3. Board area under the connector is available for PCB patterning

4. User-friendly actuator operation with unique contact design

- Actuator widely opens and stays open at 120°
 ➡ Easy FPC insertion
- Actuator rotation creates a clear tactile and audible click
 ➡ Incomplete lock prevention

5. Suitable for FPC/FFC with mating area thickness: **0.3 mm**

(Industry standard thickness)

Remarks

- Reflow Temperature of 250 °C
- Contact HRS for contact plating options and for varieties of contact positions.

Specifications herein are subject to change without notice. Contact Hirose for latest specifications, drawings or availabilities.